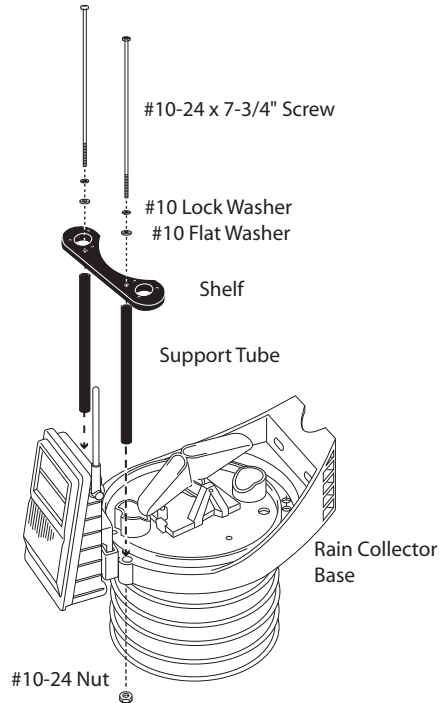
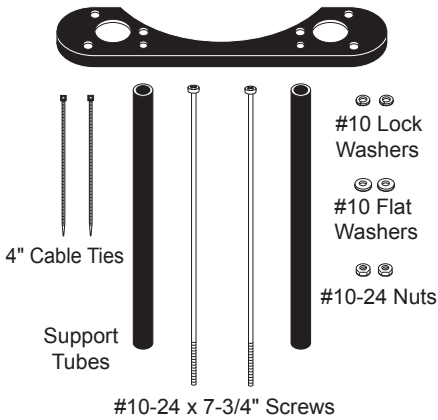


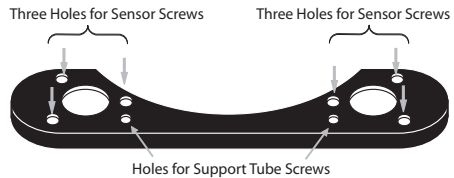
# Sensor Mounting Shelf Installation

For more information, see your UV and Solar Sensor User Manual

## Components



1. Place a support tube on each of the outside mounting holes at the front of the rain collector base.
2. Place a lock washer and a flat washer onto one 7 3/4" screws.
3. Locate the support tube mounting holes in the shelf.



4. Insert the screw through the hole in the shelf, tube, and through the hole in the rain collector base.
5. Place a nut in the opening of the hexagonal recess on the underside of the rain collector base. Turn the screw until the assembly is loosely held together.
6. Repeat with the second support tube.
7. On the underside of the shelf, verify that the tops of both support tubes are inside the circular recesses in the shelf.
8. Tighten both support tubes.

