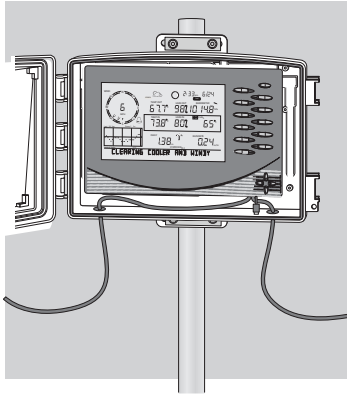
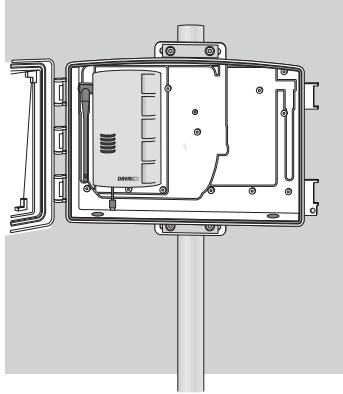


Using a Universal Shelter

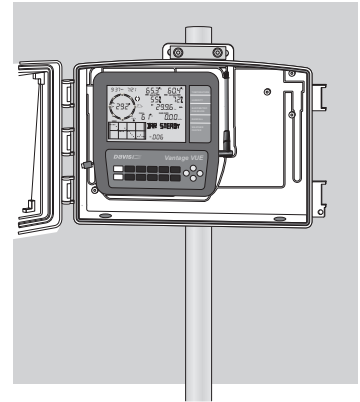
Use a weather-resistant Universal Shelter to shelter your Vantage Vue console, wireless or cabled Vantage Pro2 console, or Envoy for field installations. When powering a Vantage Pro2 console with a Heavy Duty Solar Power Kit, there is not enough room in the Solar Power Kit for the large battery and the console; mount the console in a Universal Shelter.



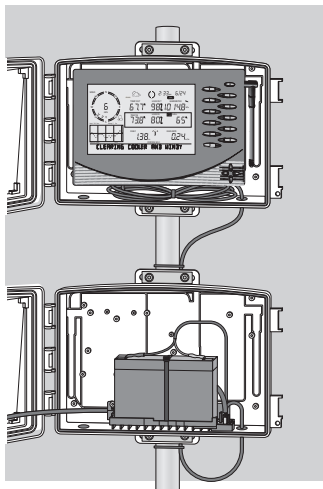
Cabled (shown) or wireless Vantage Pro2 console in Universal Shelter



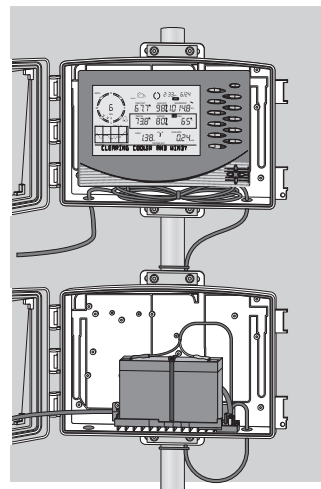
Cabled or wireless Weather Envoy in Universal Shelter (Shown: wireless Weather Envoy powered by backup batteries)



Vantage Vue console in Universal Shelter (Shown: console powered by backup batteries)



Wireless Vantage Pro2 console in Universal Shelter (top) with Heavy Duty Solar Power Kit (6612, bottom)



Cabled Vantage Pro2 console in Universal Shelter (top) with Heavy Duty Solar Power Kit (6612, bottom)